

Brackish Water RO Membrane Element 8040

APPLICATIONS

- Brackish water, groundwater, surface water, tap water treatment etc.
- Liquid concentration, sewage wastewater and reclaimed water recycle etc.
- Feed TDS below 5000mg/L.
- Production water supply system for electronics, power, steel & iron, pharmacy, thermoelectric, petrochemical, coal to chemicals etc.

BENEFITS

- High Rejection Rate and Strong Stability
- Economical and Applicability

SPECIFICATIONS

Model	Active Area ft ² (m ²)	Feed Spacer Thickness(mil)	Permeate Flow Rate GPD(m ³ /d)	Stabilized Salt Rejection (%)
MBR-8040 LE	440(40.9)	28	13000(49.2)	99.50

STANDARD TEST CONDITION

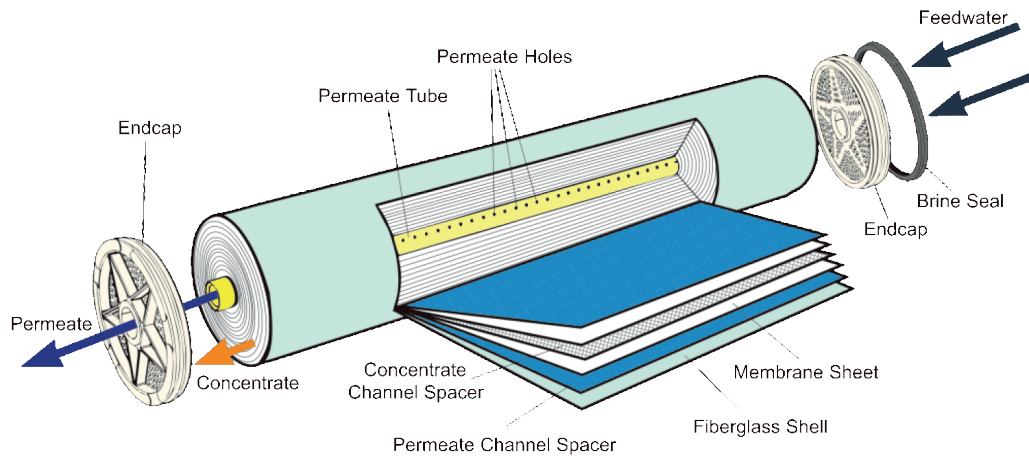
Solution	Temperature (°C)	pH	Operating Pressure psi(MPa)	Recovery (%)
2000mg/L NaCl	25	7.5-8.0	225(1.55)	15

Individual flow rate may vary ±15%

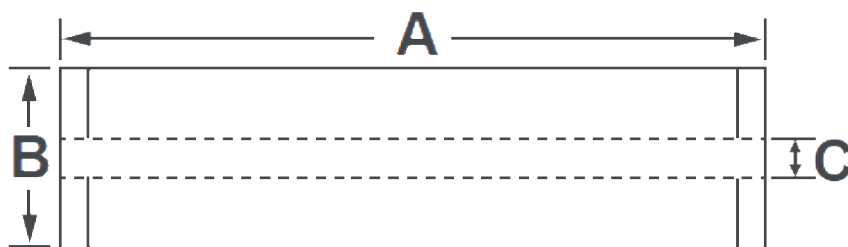
ELEMENT DIMENSIONS AND OPERATING LIMITS

Model	Active Area ft ² (m ²)		Feed Spacer Thickness(mil)		Permeate Flow Rate GPD(m ³ /d)	
	inch	mm	inch	mm	inch	mm
8040	40	1016	7.9	201	1.12	28.5

Brackish Water RO Membrane Element 8040



Maximum Operating Pressure	600psi(4. 14MPa)
Maximum Operating Temperature	45°C
Maximum Feed Silt Density Index	5.0
Free Chlorine Tolerance	0. 1mg/L
pH Range,Continuous Operation	3- 10
pH Range,Short-Term Cleaning	1- 13
Maximum Element Pressure Drop	15psi(0. 1MPa)



DIMENSIONS			
A mm (in.)	B mm (in.)	C mm (in.)	D mm (in.)
1,016 (40)	200 (7.9)	28.6 (1.125)	16 (.35)

The dimensional information is indicative and is provided as a reference. Please contact us for detailed technical specifications.

Ultra Low Pressure RO Membrane Element 8040

APPLICATIONS

- Groundwater, tap water treatment etc.
- Dairy and beverage production, water vending machine, water purify equipment in medical lab, drinking equipment in office or residential site etc.
- Feed TDS below 2000mg/L.

BENEFITS

- High Rejection Rate and Strong Stability
- Economical and Applicability

SPECIFICATIONS

Model	Active Area ft2(m2)	Feed Spacer Thickness(mil)	Permeate Flow Rate GPD(m3/d)	Stabilized Salt Rejection (%)
MBR-8040 ULP	440(40.9)	28	12500(47.3)	99.65

STANDARD TEST CONDITION

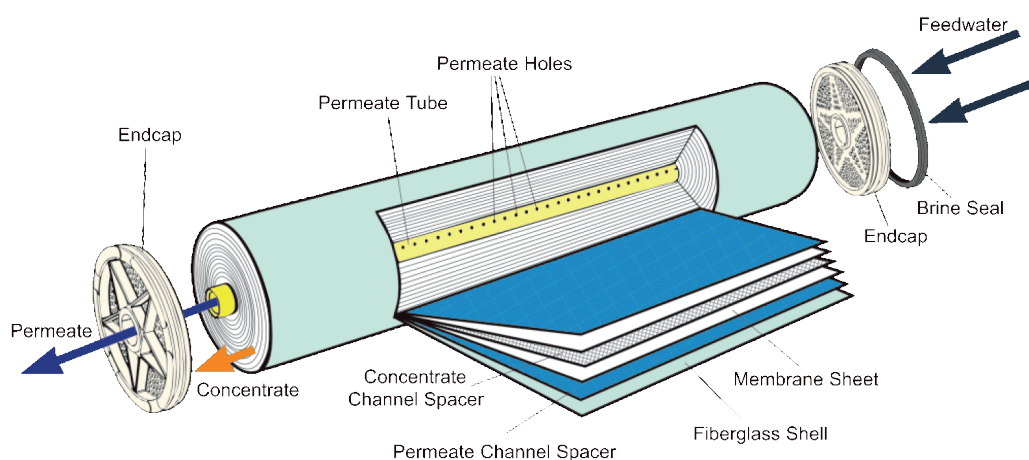
Solution	Temperature (°C)	pH	Operating Pressure psi(MPa)	Recovery (%)
1500mg/L NaCl	25	7.5-8.0	150(1.03)	15

Individual flow rate may vary ±15%

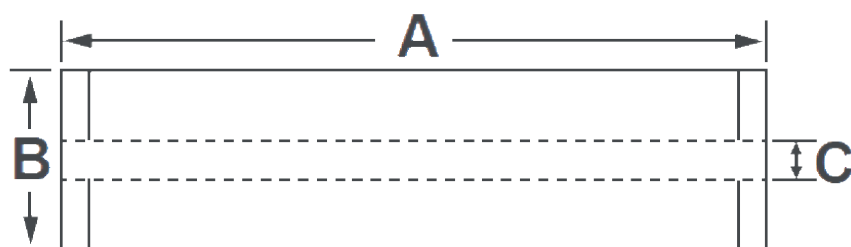
ELEMENT DIMENSIONS AND OPERATING LIMITS

Model	Length		Diameter		Permeate Tube inner Diameter	
	inch	mm	inch	mm	inch	mm
8040	40	1016	7.9	201	1.12	28.50

Ultra Low Pressure RO Membrane Element 8040



Maximum Operating Pressure	600psi(4. 14MPa)
Maximum Operating Temperature	45°C
Maximum Feed Silt Density Index	5.0
Free Chlorine Tolerance	0. 1mg/L
pH Range,Continuous Operation	3- 10
pH Range,Short-Term Cleaning	1- 13
Maximum Element Pressure Drop	15psi(0. 1MPa)



DIMENSIONS			
A mm (in.)	B mm (in.)	C mm (in.)	D mm (in.)
1,016 (40)	200 (7.9)	28.6 (1.125)	16 (.35)

The dimensional information is indicative and is provided as a reference. Please contact us for detailed technical specifications.

Ultra Low Pressure RO Membrane Element 4040

APPLICATIONS

- Groundwater, tap water treatment etc.
- Dairy and beverage production, water vending machine, water purify equipment in medical lab, drinking equipment in office or residential site etc.
- Feed TDS below 2000mg/L.

BENEFITS

- High Rejection Rate and Strong Stability
- Economical and Applicability

SPECIFICATIONS

Model	Active Area ft2(m2)	Feed Spacer Thickness(mil)	Permeate Flow Rate GPD(m3/d)	Stabilized Salt Rejection (%)
MBR-4040 ULP	100(9.3)	28	2400(9.1)	99.60

STANDARD TEST CONDITION

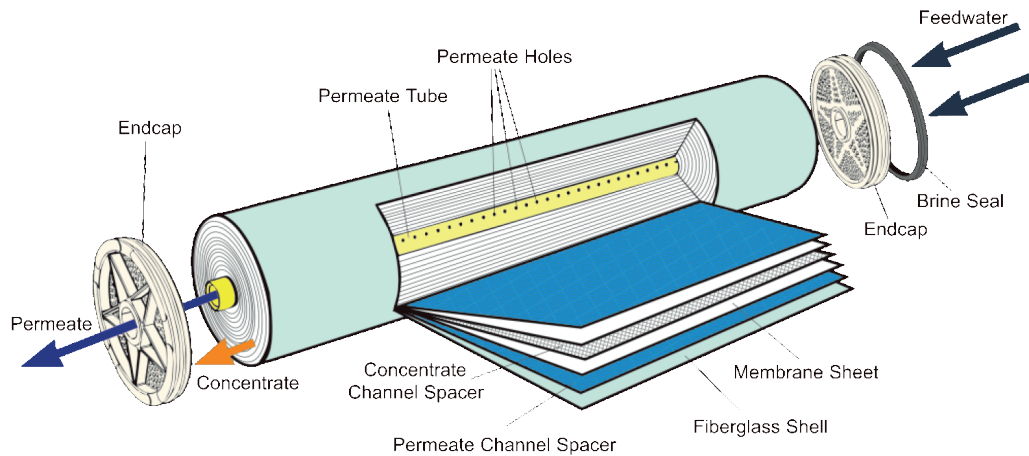
Solution	Temperature (°C)	pH	Operating Pressure psi(MPa)	Recovery (%)
1500mg/L NaCl	25	7.5-8.0	150(1.03)	15

Individual flow rate may vary ±15%

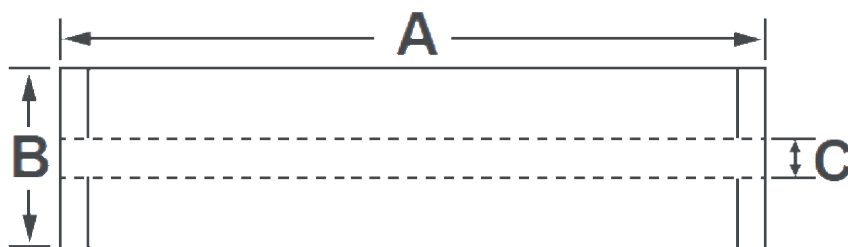
ELEMENT DIMENSIONS AND OPERATING LIMITS

Model	Length		Diameter		Permeate Tube inner Diameter		Permeate Tube Extension Length	
	inch	mm	inch	mm	inch	mm	inch	mm
4040	40	1016	3.9	99	0.75	19.1	1.04	26.5

Brackish Water RO Membrane Element 8040



Maximum Operating Pressure	600psi(4. 14MPa)
Maximum Operating Temperature	45°C
Maximum Feed Silt Density Index	5.0
Free Chlorine Tolerance	0. 1mg/L
pH Range,Continuous Operation	3- 10
pH Range,Short-Term Cleaning	1- 13
Maximum Element Pressure Drop	15psi(0. 1MPa)



DIMENSIONS			
A mm (in.)	B mm (in.)	C mm (in.)	D mm (in.)
1,016 (40)	200 (7.9)	28.6 (1.125)	16 (.35)

The dimensional information is indicative and is provided as a reference. Please contact us for detailed technical specifications.